

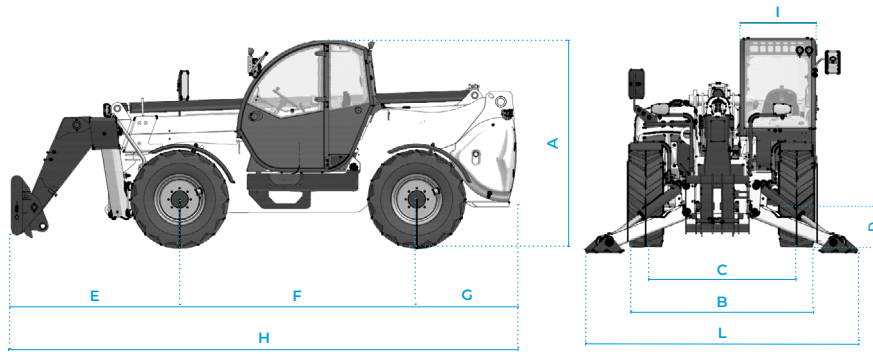
# 17.40 FULL ELECTRIC

TECHNICAL SHEET



# 17.40 FULL ELECTRIC

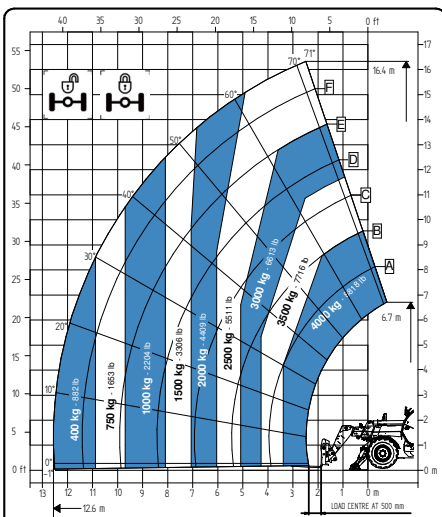
## TECHNICAL FEATURES



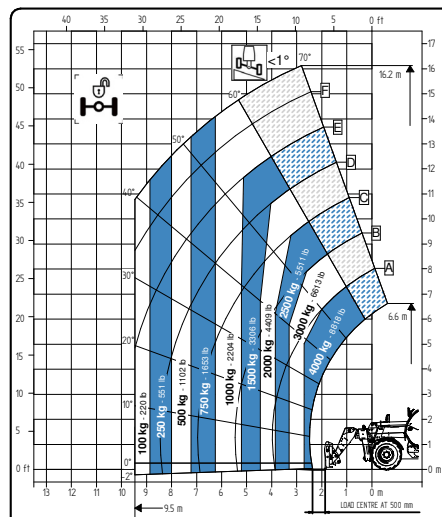
Models	17.40	
<b>Dimensions</b>		
[A] Height	mm	2500
[B] Width	mm	2331
[C] Track	mm	1862
[D] Ground clearance	mm	280
[E] Front overhang	mm	2330
[F] Pitch	mm	2950
[G] Rear overhang	mm	1240
[H] Length without tow hook	mm	6520
[I] Cab width	mm	960
[L] Width with stabilizers	mm	3418
<b>Loading system</b>		
Lifting capacity	kg	4000
Lifting height	m	16,4
Max horizontal boom extension	m	12,6
Boom extension at max height	m	2,5
Number of extracting sections	n.	3
Swinging Angle	°	144
<b>Tank capacity</b>		
Hydraulic oil tank	l	150
<b>Connection equipment</b>		
FH		●
Euro		○
<b>Weights</b>		
Maximum unladen weight	kg	11600

Models	17.40	
<b>Other</b>		
Frame lateral levelling 10°		●
Front Stabilizers		●
Rear axle swing block		○
Fixed tow hook up to 12 ton		○
Bucket mode		●
<b>Tyres</b>		
Turning radius	m	4,2
400/70 - 20" OFFSET +35 MPT01		●
400/70 - 24" OFFSET +29 4L R1		○
445/65 - 22.5" OFFSET +50 AGP23		○
400/70 - 24" ET +29 NO MARKING MPT753		○

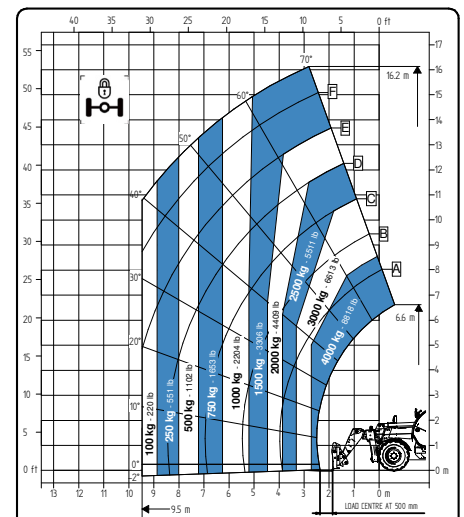
● Standard    ○ Optional    - Not available



With deployed stabilisers



On wheels with free axle



On wheels with locked axle

# 17.40 FULL ELECTRIC

## CONFIGURATIONS

Full Electric configuration	Full Electric	
<b>Engine</b>		
Transmission	kW	51 (S1)
Hydraulic services	kW	23 (S1)
<b>Hydraulics</b>		
Pump type		Gears
Hydraulic flow-rate	l/bar	120/250
Flow sharing distributor		●
Distributor		Hydraulic proportional
Hydraulic quick release with manual 6 way diverter		○
Boom suspension		○
Floating boom		○
Manual 6-way diverter valve		○
Constant front flow		○
Boom Electric Socket (PEB)		○
<b>Transmission</b>		
Electric two mechanical gears 10 - 25 km/h		●
<b>Axles</b>		
45% limited slip self-locking differential front axles		●
Swing lock rear axles		○
Open type differential rear axles		●
<b>Brakes</b>		
Service brake		Multi-disc in oil bath
Parking brake		Multi-disc in oil bath with negative drive type SAHR
Pneumatic / hydraulic trailer brake		○
<b>Lights</b>		
LED front and rear work lights		○
LED boom work lights		○
Trailer lights rear socket		○
<b>Cabin</b>		
Cabin		Standard
Radio presetting		○
Protection grille for windscreen		○
Rear mirror		○
<b>Special features</b>		
Air conditioning		○
Forward buzzer avas		○
Telematics Farmatics FULL (2-5 years)		○

● Standard    ○ Optional    - Not available

Chargers *	105	
<b>Performance</b>		
Type		Lithium battery LFP
Rated energy	kWh	45
Rated voltage	V	435
Capacity	Ah	105
<b>Autonomy</b>		
Autonomy standard cycle intensive (eco mode)		3 h 30 m
Autonomy standard cycle not intensive (eco mode)		8 h
<b>Chargers *</b>		
<b>Standard</b>		
Average 0-100% charging time - Single-phase 7.4 kW 32 A - 230 V AC wallbox		8 h
Average 0-100% charging time - Three-phase 11 kW 32 A - 400 V AC wallbox		5 h 30 m
<b>Options</b>		
Average 0-100% charging time - Single-phase 7.4 kW 32 A - 230 V AC wallbox		8 h
Average 0-100% charging time - Three-phase 22 kW 32 A - 400 V AC wallbox		3 h 30 m
Average 0-100% charging time - 50 kW DC Charging station		2 h 30 m

\* The values given may vary, even significantly, due to environmental conditions, the mode of use and the charging system. They may also be affected by other non-predictable or non-measurable factors.

# SUSTAINABILITY **THAT WORKS**



**FARESIN INDUSTRIES SPA  
HEADQUARTERS**

Via dell'Artigianato, 36  
36042 Breganze (Vicenza), Italy  
Tel. + 39 0445 800300  
faresin@faresin.com

**FARESIN DEUTSCHLAND GMBH**

Steinach B.R. - an der  
Frankenhoehe 1  
91605 Gallmersgarten, Germany  
Tel. +49 9843 9802828  
lager@faresin.de

**FARESIN DEUTSCHLAND  
NORD GMBH**

Wissmannstr, 59  
27755 Delmenhorst, Germany  
Tel. +49 4221 800 989-0  
info@faresin-nord.de

**FARESIN POLAND SP. Z O.O.**

ul. Borowiacka 9  
87-100 Torun, Polska  
Tel. +48 503 147 811  
poland@faresin.com

**FARESIN INDUSTRIES  
FRANCE**

2 Rue de l'Avenir 14460  
Colombelles, France  
Tel + 33 2 31 82 79 61  
france@faresin.com

It brings to the attention of all potential customers, all recipients, and to the maximum extent possible, external interlocutors, that Faresin Industries S.p.A. adopts a general Disclaimer regarding the description of the technical and functional characteristics of its machineries, as well as the manner of their use, also with regard to their safety. The Disclaimer must be understood as having a general scope, and therefore Faresin Industries s.p.a. invites to know it, also by accessing the website: [faresin.com](http://faresin.com)

**FARESIN.COM**



04.2025