

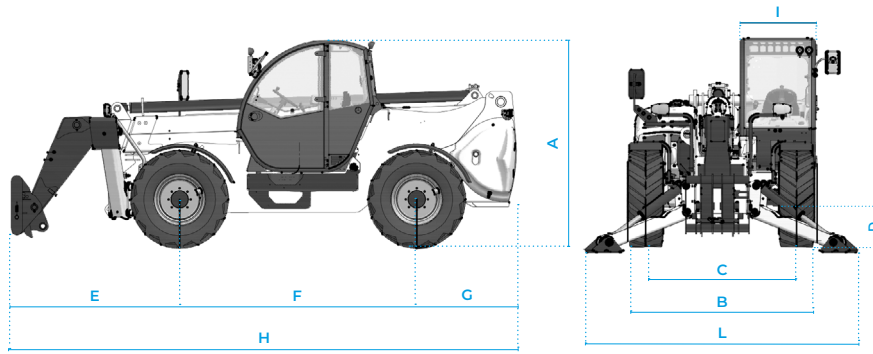
14.42 FULL ELECTRIC

TECHNICAL SHEET



14.42 FULL ELECTRIC

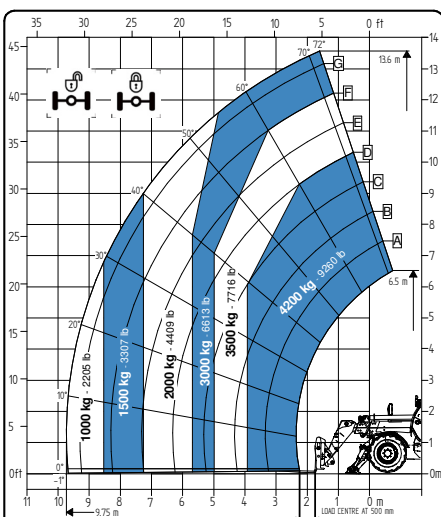
TECHNICAL FEATURES



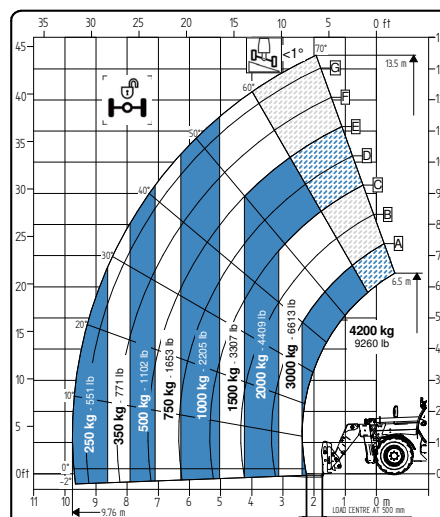
Models	14.42	
Dimensions		
[A] Height	mm	2500
[B] Width	mm	2331
[C] Track	mm	1862
[D] Ground clearance	mm	280
[E] Front overhang	mm	2180
[F] Pitch	mm	2950
[G] Rear overhang	mm	1240
[H] Length without tow hook	mm	6370
[I] Cab width	mm	960
[L] Width with stabilizers	mm	3418
Lifting system		
Lifting capacity	kg	4200
Lifting height	m	13,6
Max horizontal boom extension	m	9,75
Boom extension at max height	m	1,6
Number of extracting sections	n.	2
Swinging Angle	°	144
Tank capacity		
Hydraulic oil tank	l	150
Connection equipment		
FH		●
Euro		○
Weights		
Maximum unladen weight	kg	11350

Models	14.42	
Other		
Frame lateral levelling 10°		●
Front Stabilizers		●
Rear axle swing block		○
Fixed tow hook up to 12 ton		○
Bucket mode		●
Tyres		
Turning radius	m	4,2
400/70 - 20" OFFSET +35 MPT01		●
400/70 - 24" OFFSET +29 4L R1		○
445/65 - 22.5" OFFSET +50 AGP23		○
400/70 - 24" ET +29 NO MARKING MPT753		○

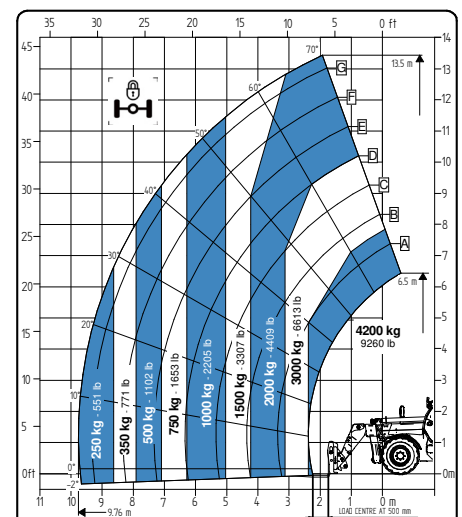
● Standard ○ Optional - Not available



With deployed stabilizers



On wheels with free axle



On wheels with locked axle

14.42 FULL ELECTRIC

CONFIGURATIONS

Full Electric configuration	Full Electric	
Engine		
Transmission	kW	51 (S1)
Hydraulic services	kW	23 (S1)
Hydraulics		
Pump type		Gears
Hydraulic flow-rate	l/bar	120/250
Flow sharing distributor		●
Distributor		Hydraulic proportional
Hydraulic quick release with manual 6 way diverter		○
Boom suspension		○
Floating boom		○
Manual 6-way diverter valve		○
Constant front flow		○
Boom Electric Socket (PEB)		○
Transmission		
Electric two mechanical gears 10 - 25 km/h		●
Axles		
45% limited slip self-locking differential front axles		●
Swing lock rear axles		○
Open type differential rear axles		●
Brakes		
Service brake		Multi-disc in oil bath
Parking brake		Multi-disc in oil bath with negative drive type SAHR
Pneumatic / hydraulic trailer brake		○
Lights		
LED front and rear work lights		○
LED boom work lights		○
Trailer lights rear socket		○
Cabin		
Cabin		Standard
Radio presetting		○
Protection grille for windscreen		○
Rear mirror		○
Special features		
Air conditioning		○
Forward buzzer avas		○
Telematics Farmatics FULL (2-5 years)		○

● Standard ○ Optional - Not available

Chargers *	105	
Performance		
Type		Lithium battery LFP
Rated energy	kWh	45
Rated voltage	V	435
Capacity	Ah	105
Autonomy		
Autonomy standard cycle intensive (eco mode)		3 h 30 m
Autonomy standard cycle not intensive (eco mode)		8 h
Chargers *		
Standard		
Average 0-100% charging time - Single-phase 7.4 kW 32 A - 230 V AC wallbox		8 h
Average 0-100% charging time - Three-phase 11 kW 32 A - 400 V AC wallbox		5 h 30 m
Options		
Average 0-100% charging time - Single-phase 7.4 kW 32 A - 230 V AC wallbox		8 h
Average 0-100% charging time - Three-phase 22 kW 32 A - 400 V AC wallbox		3 h 30 m
Average 0-100% charging time - 50 kW DC Charging station		2 h 30 m

* The values given may vary, even significantly, due to environmental conditions, the mode of use and the charging system. They may also be affected by other non-predictable or non-measurable factors.

SUSTAINABILITY **THAT WORKS**



**FARESIN INDUSTRIES SPA
HEADQUARTERS**

Via dell'Artigianato, 36
36042 Breganze (Vicenza), Italy
Tel. + 39 0445 800300
faresin@faresin.com

FARESIN DEUTSCHLAND GMBH

Steinach B.R. - an der
Frankenhoehe 1
91605 Gallmerts Garten, Germany
Tel. +49 9843 9802828
lager@faresin.de

**FARESIN DEUTSCHLAND
NORD GMBH**

Wissmannstr, 59
27755 Delmenhorst, Germany
Tel. +49 4221 800 989-0
info@faresin-nord.de

FARESIN POLAND SP. Z O.O.

ul. Borowiacka 9
87-100 Torun, Polska
Tel. +48 503 147 811
poland@faresin.com

**FARESIN INDUSTRIES
FRANCE**

2 Rue de l'Avenir 14460
Colombelles, France
Tel + 33 2 31 82 79 61
france@faresin.com

It brings to the attention of all potential customers, all recipients, and to the maximum extent possible, external interlocutors, that Faresin Industries S.p.A. adopts a general Disclaimer regarding the description of the technical and functional characteristics of its machineries, as well as the manner of their use, also with regard to their safety. The Disclaimer must be understood as having a general scope, and therefore Faresin Industries s.p.a. invites to know it, also by accessing the website: faresin.com

FARESIN.COM



04.2025