

FS 10.40 MIDDLE

TECHNICAL SHEET



FS 10.40 MIDDLE

TECHNICAL FEATURES

Models	10.40	
Dimensions		
[A] Height		8 ft 0.4 in
[B] Width		7 ft 7 in
[C] Track		6 ft 1 in
[D] Ground clearance		14 in
[E] Front overhang		4 ft 7 in
[F] Pitch		9 ft 8 in
[G] Rear overhang		32 in
[H] Length without tow hook		16 ft 10 in
[I] Length with tow hook		17 ft 5 in
[L] Cab width		38 in
Width with stabilizers		-
Loading system		
Lifting capacity	lbs	8,818
Lifting height		32 ft 6 in
Max horizontal boom extension		21 ft 8 in
Boom extension at max height		3 ft 11 in
Number of extracting sections	n.	2
Swinging Angle	°	144
Tank capacity		
Fuel tank	gal	31.7
Adblue tank	gal	2.6
Hydraulic oil tank	gal	31.7
Connection equipment		
Fh		●
FH Heavy		-
Euro		-
Other		
Telematics farmatics		○
Frame lateral levelling 10°		-
Front stabilizers		-
Rear axle swing block		-
Bucket mode		●

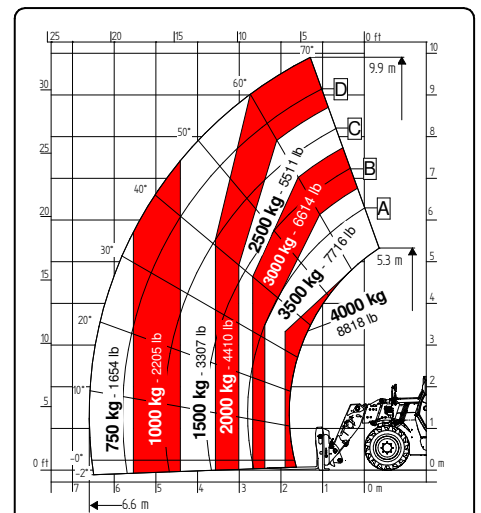
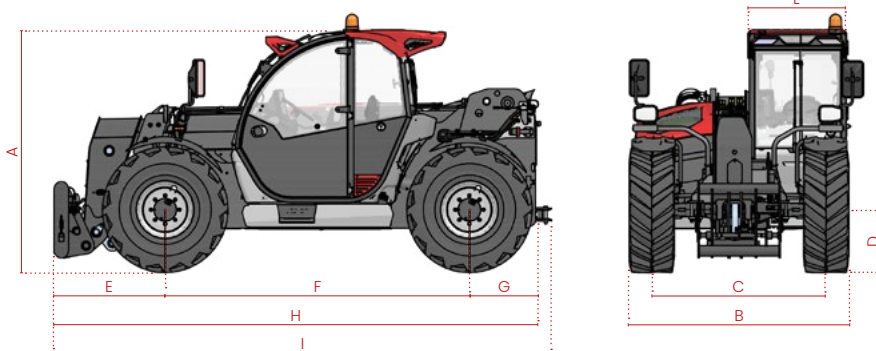
● Standard ○ Optional - Not available

Models	10.40	
Maximum unladen weight		
Classic 55	lbs	19,731
Classic 75	lbs	19,952
Dynamic 85	lbs	19,952
Performance 85	lbs	19,952
Excellence 85	lbs	20,062
Excellence HVTronic 100	lbs	20,304

Models	10.40	
Drawbar pull		
Classic 55	daN	5.800
Classic 75	daN	5.800
Dynamic 85	daN	5.800
Performance 85	daN	6.780
Excellence 85	daN	6.780
Excellence HVTronic 100	daN	10.000

Models	10.40	
Tyres		
Turning radius		13 ft 7 in
400/70 - 20"		●
400/70 - 24"		○*
460/70-R24" LIFT PRO OFFSET +29		○
460/70-R24" XMCL OFFSET +29		○
18 - 19.5 MPT-06 OFFSET +40		○

* Standard for the Performance, Excellence and Excellence HVTronic configurations.



10.40

FS 10.40 MIDDLE

CONFIGURATIONS

Configurations		Classic 55	Classic 75	Dynamic 85	Performance 85	Excellence 85	Excellence HVTronic 100
Engine							
Deutz 55,4/75	<input type="checkbox"/> STAGE V kW/hp	●	-	-	-	-	-
Deutz 75/102	<input type="checkbox"/> STAGE V kW/hp	-	●	-	-	-	-
Deutz 85/115	<input type="checkbox"/> STAGE V kW/hp	-	-	●	●	●	-
Deutz 100/136	<input type="checkbox"/> STAGE V kW/hp	-	-	-	-	○	●
Engine water preheating		○	○	○	○	○	○
Post-treatment system		DOC/DPF	DOC/DPF + SCR	DOC/DPF + SCR	DOC/DPF + SCR	DOC/DPF + SCR	DOC/DPF + SCR
Radiator fan		Proportional	Proportional	Proportional	Proportional + Reversible	Proportional + Reversible	Proportional + Reversible
Hydraulics							
pump type		Gears	Gears	Gears	LS piston	LS piston	LS piston
Hydraulic flow-rate	gal/psi	26.4/3,625	26.4/3,625	31.7/3,625	39.6/3,625	44.9/3,625	44.9/3,625
Flow sharing distributor		●	●	●	●	●	●
Electro-proportional joystick		Hydraulic	Hydraulic	Hydraulic	Hydraulic	CAN-BUS	CAN-BUS
Quick release		○	○	○	○	●	●
Boom suspension		○	○	○	○	○	○
Floating boom		○	○	○	○	●	●
Lifting valve		-	-	-	Ecofast	Ecofast-E	Ecofast-E
Manual 6-way diverter valve		○	○	○	○	●	●
Constant front flow		●	●	●	●	●	●
Creeper		●	●	●	●	●	●
Boom Electric Socket (PEB)		○	○	○	○	○	○
Boom function							
Height limiter		-	-	-	-	●	●
Electronic boom speed control		Full BSC	Full BSC	Full BSC	Full BSC	Full + Single BSC	Full + Single BSC
Autoretract		-	-	-	-	●	●
Controlled boom retraction		●	●	●	●	●	●
Bucket shaking		-	-	-	-	●	●
Transmission							
Hydrostatic single gear 15.5 mph		●	-	-	-	-	-
Hydrostatic single gear 18.6 mph		●	●	●	-	-	-
Hydrostatic two mechanical gears 24.8 mph		-	-	-	●	●	-
Hydrostatic continuous variation 24.8 mph		-	-	-	-	-	●
Axles							
45% limited slip self-locking differential front axles		●	●	●	●	●	●
Open type differential rear axles		●	●	●	●	●	●
100% differential lock rear axles		-	-	-	-	-	-
Brakes							
Service brake		Multi-disc in oil bath					
Parking brake		Multi-disc in oil bath with negative drive type SAHR					
Pneumatic / hydraulic trailer brake		-	-	○	○	○	○
Lights							
LED front lights		○	○	○	○	●	●
LED rear lights		●	●	●	●	●	●
LED front and rear work lights		○	○	○	●	●	●
LED boom work lights		○	○	○	○	○	○
Step courtesy light		○	○	○	●	●	●
Trailer lights rear socket		○	○	●	●	●	●
Cabin							
Cabin		Standard	Standard	Standard	Standard	Comfort Plus	Comfort Plus
Protection grille for windscreen		○	○	○	○	○	○
Touch colour display	"	5	5	5	5	7	7
Start and stop system		●	●	●	●	●	●
Internal rear-view mirror		○	○	○	●	●	●
Air conditioning		○	○	○	○	●	●
Other							
Tow hook		○	○	●	●	●	●

● Standard ○ Optional - Not available

TELEHANDLERS **NEXT GENERATION**



**FARESIN INDUSTRIES SPA
HEADQUARTERS**

Via dell'Artigianato, 36
36042 Breganze (Vicenza), Italy
Tel. + 39 0445 800300
faresin@faresin.com

FARESIN DEUTSCHLAND GMBH

Steinach B.R. - an der
Frankenhoehe 1
91605 Gallmersgarten, Germany
Tel. +49 9843 9802828
lager@faresin.de

**FARESIN DEUTSCHLAND
NORD GMBH**

Wissmannstr, 59
27755 Delmenhorst, Germany
Tel. +49 4221 800 989-0
info@faresin-nord.de

FARESIN POLAND SP. Z O.O.

ul. Borowiacka 9
87-100 Torun, Polska
Tel. +48 503 147 811
poland@faresin.com

**FARESIN INDUSTRIES
FRANCE**

2 Rue de l'Avenir 14460
Colombelles, France
Tel + 33 2 31 82 79 61
france@faresin.com

It brings to the attention of all potential customers, all recipients, and to the maximum extent possible, external interlocutors, that Faresin Industries S.p.A. adopts a general Disclaimer regarding the description of the technical and functional characteristics of its machineries, as well as the manner of their use, also with regard to their safety. The Disclaimer must be understood as having a general scope, and therefore Faresin Industries s.p.a. invites to know it, also by accessing the website: faresin.com

FARESIN.COM



01.2025