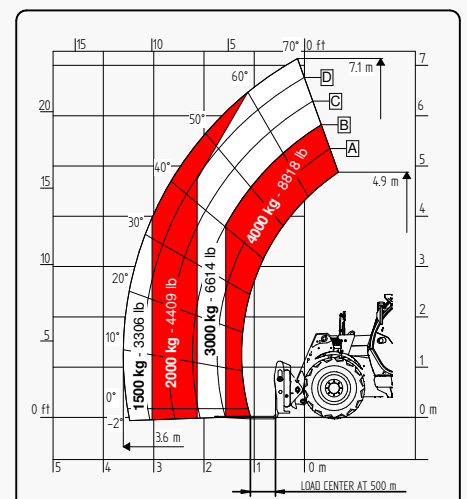
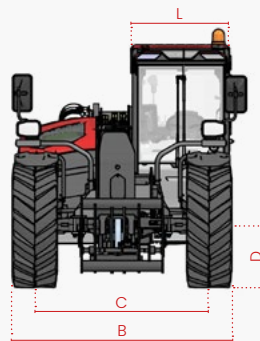
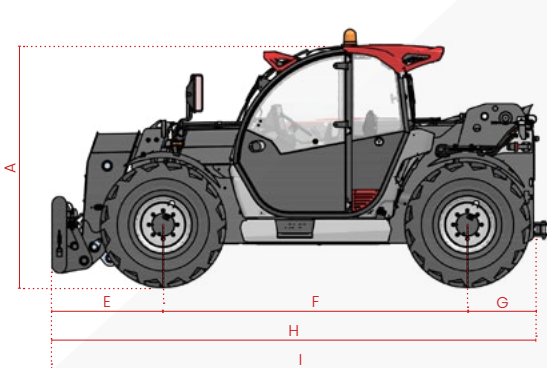


# 7.40 MIDDLE FS



It brings to the attention of all potential customers, all recipients, and to the maximum extent possible, external interlocutors, that Faresin Industries S.p.A. adopts a general Disclaimer regarding the description of the technical and functional characteristics of its machineries, as well as the manner of their use, also with regard to their safety. The Disclaimer must be understood as having a general scope, and therefore Faresin Industries s.p.a. invites to know it, also by accessing the website: [www.faresindustries.com](http://www.faresindustries.com)



**FARESIN.COM**



# 7.40 MIDDLE FS

## TECHNICAL FEATURES

| MODELS                      |    | 7.40  |
|-----------------------------|----|-------|
| <b>DIMENSIONS</b>           |    |       |
| [A] Height                  | mm | 2.450 |
| [B] Width                   | mm | 2.310 |
| [C] Track                   | mm | 1.862 |
| [D] Ground clearance        | mm | 350   |
| [E] Front overhang          | mm | 1.007 |
| [F] Pitch                   | mm | 2.950 |
| [G] Rear overhang           | mm | 804   |
| [H] Length without tow hook | mm | 4.761 |
| [I] Length with tow hook    | mm | 4.922 |
| [L] Cab width               | mm | 960   |
| <b>WEIGHT</b>               |    |       |
| CLASSIC 75                  | kg | -     |
| DYNAMIC 85                  | kg | -     |
| PERFORMANCE 85              | kg | -     |
| EXCELLENCE 85               | kg | -     |

| MODELS                        |    | 7.40  |
|-------------------------------|----|-------|
| <b>DETAILS</b>                |    |       |
| Number of retracting sections | nr | 1     |
| Max flow rate                 | kg | 4.000 |
| Max lifting height            | m  | 7,1   |
| Horizontal max outreach       | m  | 3,6   |
| Outreach at max height        | m  | 0,2   |
| Swinging angle                | °  | 144   |
| <b>TANK CAPACITY</b>          |    |       |
| Hydraulic oil tank            | l  | 120   |
| Diesel tank                   | l  | 120   |

**NOTE: Dimensions defined on Dynamic version with 20" wheels**

● Standard    ○ Optional    - Not available

| INSTALLATIONS                  | CLASSIC 75                     | DYNAMIC 85                     | PERFORMANCE 85                 | EXCELLENCE 85                |
|--------------------------------|--------------------------------|--------------------------------|--------------------------------|------------------------------|
| <b>TRANSMISSION</b>            |                                |                                |                                |                              |
| Hydrostatic                    | single gear                    | single gear                    | 2 mechanical gears             | 2 mechanical gears           |
| Speed                          | km/h                           | 30                             | 40                             | 40                           |
| <b>ENGINE STAGE IIIA</b>       |                                |                                |                                |                              |
| Manufactured                   | Deutz                          | Deutz                          | Deutz                          | Deutz                        |
| Power                          | kW/hp                          | 75/102                         | 85/115                         | 85/115                       |
| Pulling force                  | daN                            | 5.100                          | 5.100                          | 5.890                        |
| <b>HYDRAULICS</b>              |                                |                                |                                |                              |
| Pump type                      | gears                          | gears                          | LS piston                      | LS piston                    |
| Distributor                    | flow sharing                   | flow sharing                   | flow sharing                   | flow sharing                 |
| Hydraulic flow-rate            | l/bar                          | 100/250                        | 120/250                        | 150/250                      |
| <b>WHEELS</b>                  |                                |                                |                                |                              |
| 400/70 20                      | ●                              | ●                              | ○                              | ○                            |
| 405/70 24                      | ○                              | ○                              | ●                              | ●                            |
| Steering radius                | m                              | 4                              | 4,15                           | 4,15                         |
| <b>VARIOUS</b>                 |                                |                                |                                |                              |
| Joystick                       | electro-hydraulic proportional | electro-hydraulic proportional | electro-hydraulic proportional | CAN-BUS electro proportional |
| Quick coupling                 | ○                              | ○                              | ○                              | ●                            |
| Rear hydraulic connection      | ○                              | ○                              | ●                              | ●                            |
| LED front lights               | ○                              | ○                              | ○                              | ●                            |
| LED rear lights                | ●                              | ●                              | ●                              | ●                            |
| LED front and rear work lights | ○                              | ○                              | ●                              | ●                            |
| Trailer lights rear socket     | ○                              | ●                              | ●                              | ●                            |
| Fixed tow hook 12 t            | ○                              | ●                              | ●                              | ●                            |
| Engine water preheating        | ○                              | ○                              | ○                              | ○                            |
| Air conditioning               | ○                              | ○                              | ○                              | ●                            |
| Ecofast Valve                  | N/D                            | N/D                            | ●                              | ●                            |
| Floating boom                  | ○                              | ○                              | ○                              | ●                            |
| Boom suspension                | ○                              | ○                              | ○                              | ○                            |
| Manual 6-way diverter valve    | ○                              | ○                              | ○                              | ●                            |
| BES (Boom Electric Socket)     | ○                              | ○                              | ○                              | ○                            |
| Creeper                        | ●                              | ●                              | ●                              | ●                            |
| Constant front flow            | ●                              | ●                              | ●                              | ●                            |
| Bucket mode                    | ●                              | ●                              | ●                              | ●                            |
| Radiator fan                   | proportional non-reversible    | proportional non-reversible    | proportional reversible        | proportional reversible      |