

FS 7.40 MIDDLE

TECHNICAL SHEET

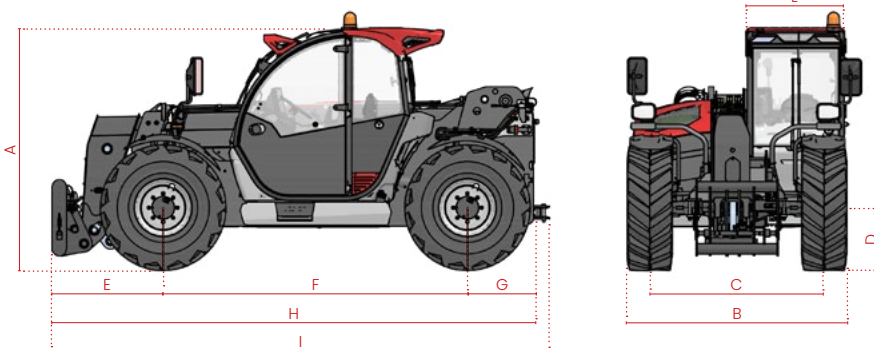


FS 7.40 MIDDLE

TECHNICAL FEATURES

Models	7.40	
Dimensions		
[A] Height	mm	2450
[B] Width	mm	2310
[C] Track	mm	1862
[D] Ground clearance	mm	350
[E] Front overhang	mm	1007
[F] Pitch	mm	2950
[G] Rear overhang	mm	804
[H] Length without tow hook	mm	4761
[I] Length with tow hook	mm	4922
[L] Cab width	mm	960
Width with stabilizers	mm	-
Loading system		
Lifting capacity	kg	3500
Lifting height	m	7,1
Max horizontal boom extension	m	3,6
Boom extension at max height	m	0,2
Number of extracting sections	n.	1
Swinging Angle	°	144
Tank capacity		
Fuel tank	l	120
Adblue tank	l	10
Hydraulic oil tank	l	120
Connection equipment		
Fh		●
FH Heavy		-
Euro		-
Other		
Telematics farmatics		○
Frame lateral levelling 10°		-
Front stabilizers		-
Rear axle swing block		-
Bucket mode		●

● Standard ○ Optional - Not available

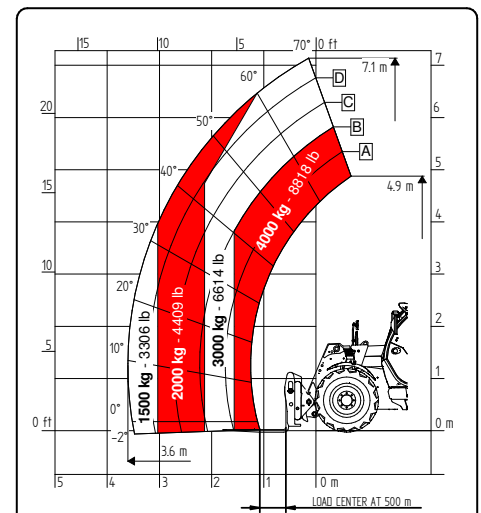


Models	7.40	
Maximum unladen weight		
Classic 55	kg	7.770
Classic 75	kg	7.870
Dynamic 85	kg	7.870
Performance 85	kg	7.870
Excellence 85	kg	7.920
Excellence HVTronic 100	kg	-

Models	7.40	
Drawbar pull		
Classic 55	daN	5.800
Classic 75	daN	5.800
Dynamic 85	daN	5.800
Performance 85	daN	6.780
Excellence 85	daN	6.780
Excellence HVTronic 100	daN	10.000

Models	7.40	
Tyres		
Turning radius	m	4,15
400/70 - 20"		●
400/70 - 24"		○*
460/70-R24" LIFT PRO OFFSET +29		○
460/70-R24" XMCL OFFSET +29		○
18 - 19.5 MPT-06 OFFSET +40		○

* Standard for the Performance, Excellence and Excellence HVTronic configurations.



7.40

Configurations		Classic 55	Classic 75	Dynamic 85	Performance 85	Excellence 85	Excellence HVTronic 100
Engine							
Deutz 55,4/75	STAGE V kW/hp	●	-	-	-	-	-
Deutz 75/102	STAGE IIIA STAGE V kW/hp	-	●	-	-	-	-
Deutz 85/115	STAGE IIIA STAGE V kW/hp	-	-	●	●	●	-
Deutz 100/136	STAGE V kW/hp	-	-	-	-	○	●
Engine water preheating		○	○	○	○	○	○
Post-treatment system		DOC/DPF	DOC/DPF + SCR	DOC/DPF + SCR	DOC/DPF + SCR	DOC/DPF + SCR	DOC/DPF + SCR
Radiator fan		Proportional	Proportional	Proportional	Proportional + Reversible	Proportional + Reversible	Proportional + Reversible
Hydraulics							
pump type		Gears	Gears	Gears	LS piston	LS piston	LS piston
Hydraulic flow-rate	l/bar	100/250	100/250	120/250	150/250	170/250	170/250
Flow sharing distributor		●	●	●	●	●	●
Electro-proportional joystick		Hydraulic	Hydraulic	Hydraulic	Hydraulic	CAN-BUS	CAN-BUS
Quick release		○	○	○	○	●	●
Boom suspension		○	○	○	○	○	○
Floating boom		○	○	○	○	●	●
Lifting valve		-	-	-	Ecofast	Ecofast-E	Ecofast-E
Manual 6-way diverter valve		○	○	○	○	●	●
Constant front flow		●	●	●	●	●	●
Creeper		●	●	●	●	●	●
Boom Electric Socket (PEB)		○	○	○	○	○	○
Boom function							
Height limiter		-	-	-	-	●	●
Electronic boom speed control		Full BSC	Full BSC	Full BSC	Full BSC	Full + Single BSC	Full + Single BSC
Autoretract		-	-	-	-	●	●
Controlled boom retraction		●	●	●	●	●	●
Bucket shaking		-	-	-	-	●	●
Transmission							
Hydrostatic single gear 25 km/h		●	-	-	-	-	-
Hydrostatic single gear 30 km/h		●	●	●	-	-	-
Hydrostatic two mechanical gears 40 km/h		-	-	-	●	●	-
Hydrostatic continuous variation 40 km/h		-	-	-	-	-	●
Axles							
45% limited slip self-locking differential front axles		●	●	●	●	●	●
Open type differential rear axles		●	●	●	●	●	●
100% differential lock rear axles		-	-	-	-	-	-
Brakes							
Service brake		Multi-disc in oil bath					
Parking brake		Multi-disc in oil bath with negative drive type SAHR					
Pneumatic / hydraulic trailer brake		-	-	○	○	○	○
Lights							
LED front lights		○	○	○	○	●	●
LED rear lights		●	●	●	●	●	●
LED front and rear work lights		○	○	○	●	●	●
LED boom work lights		○	○	○	○	○	○
Step courtesy light		○	○	○	●	●	●
Trailer lights rear socket		○	○	●	●	●	●
Cabin							
Cabin		Standard	Standard	Standard	Standard	Comfort Plus	Comfort Plus
Protection grille for windscreen		○	○	○	○	○	○
Touch colour display	"	5	5	5	5	7	7
Start and stop system		●	●	●	●	●	●
Internal rear-view mirror		○	○	○	●	●	●
Air conditioning		○	○	○	○	●	●
Other							
Tow hook		○	○	●	●	●	●

TELEHANDLERS **NEXT GENERATION**



**FARESIN INDUSTRIES SPA
HEADQUARTERS**

Via dell'Artigianato, 36
36042 Breganze (Vicenza), Italy
Tel. + 39 0445 800300
faresin@faresin.com

FARESIN DEUTSCHLAND GMBH

Steinach B.R. - an der
Frankenhoehe 1
91605 Gallmersgarten, Germany
Tel. +49 9843 9802828
lager@faresin.de

**FARESIN DEUTSCHLAND
NORD GMBH**

Wissmannstr, 59
27755 Delmenhorst, Germany
Tel. +49 4221 800 989-0
info@faresin-nord.de

FARESIN POLAND SP. Z O.O.

ul. Borowiacka 9
87-100 Torun, Polska
Tel. +48 503 147 811
poland@faresin.com

**FARESIN INDUSTRIES
FRANCE**

2 Rue de l'Avenir 14460
Colombelles, France
Tel + 33 2 31 82 79 61
france@faresin.com

It brings to the attention of all potential customers, all recipients, and to the maximum extent possible, external interlocutors, that Faresin Industries S.p.A. adopts a general Disclaimer regarding the description of the technical and functional characteristics of its machineries, as well as the manner of their use, also with regard to their safety. The Disclaimer must be understood as having a general scope, and therefore Faresin Industries s.p.a. invites to know it, also by accessing the website: faresin.com

FARESIN.COM



01.2025