

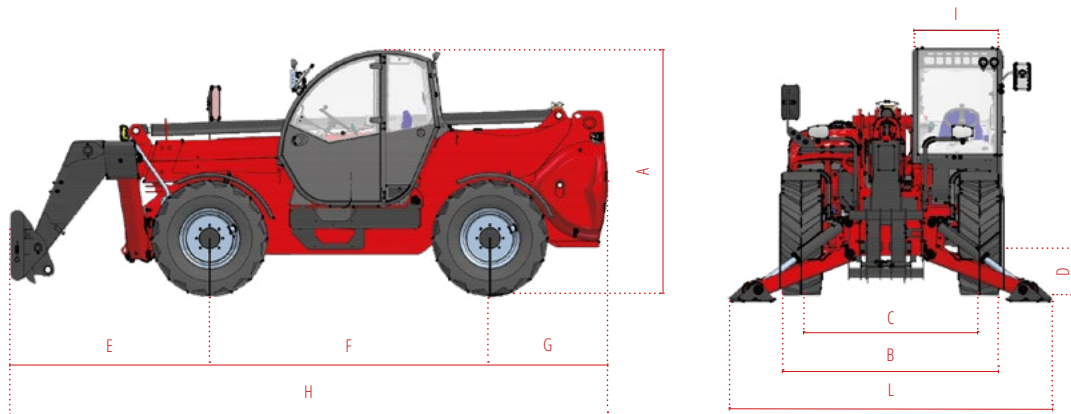
# 14.42 BIG

TECHNICAL SHEET



# 14.42 BIG

## TECHNICAL FEATURES



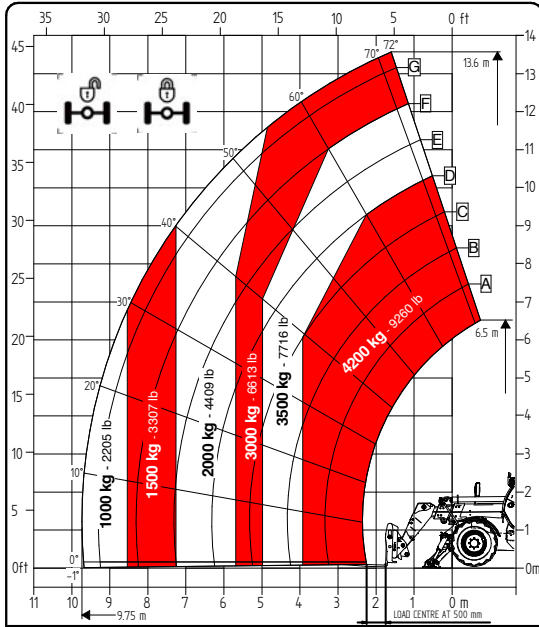
Models	14.42	
<b>Dimensions</b>		
[A] Height		8 ft 2 in
[B] Width		7 ft 8 in
[C] Track		6 ft 1 in
[D] Ground clearance		11 in
[E] Front overhang		7 ft 2 in
[F] Pitch		9 ft 8 in
[G] Rear overhang		49 in
[H] Length without tow hook		20 ft 11 in
[I] Cab width		38 in
[L] Width with stabilizers		11 ft 3 in
<b>Maximum unladen weight</b>		
Classic 55	lbs	24,251
Classic 74	lbs	24,493
Classic 75	lbs	-
<b>Drawbar pull</b>		
Classic 55	daN	5.000
Classic 74	daN	5.000
Classic 75	daN	5.000
<b>Loading system</b>		
Lifting capacity	lbs	9,259
Lifting height		44 ft 7 in
Max horizontal boom extension		31 ft 12 in
Boom extension at max height		5 ft 3 in
Number of extracting sections	n.	2
Swinging Angle	°	144
<b>Tank capacity</b>		
Fuel tank	gal	31.7
Adblue tank	gal	2.6
Hydraulic oil tank	gal	39.6
<b>Connection equipment</b>		
Fh		●
FH Heavy		-
Euro		-
<b>Other</b>		
Telematics farmatics		○
Frame lateral levelling 10°		●
Front stabilizers		●
Rear axle swing block		○
Bucket mode		●
<b>Tyres</b>		
Turning radius		13 ft 9 in
400/70-20 MPT01 PR14 OFF+35		●
400/70-24 OFFSET +29		○
400/70 - 24" OFFSET +29 NO MARK.		○
445/65 R22.5 OFFSET +50		○

Configurations	Classic 55	Classic 74
<b>Engine</b>		
Deutz 55,4/75	STAGE V kW/hp ●	-
Deutz 74/101	STAGE V kW/hp -	●
Engine water preheating	○	○
Post-treatment system	DOC/DPF	DOC/DPF + SCR
Radiator fan	Mechanical	Mechanical
<b>Hydraulics</b>		
Pump type	Gears	Gears
Hydraulic flow-rate	gal/psi 31.7/3,335	31.7/3,335
Flow sharing distributor	-	-
Elettro-proportional joystick	Mechanical	Mechanical
Quick release	○	○
Boom suspension	○	○
Floating boom	○	○
Manual 6-way diverter valve	○	○
Constant front flow	○	○
Creeper	○	○
Boom Electric Socket (PEB)	○	○
<b>Transmission</b>		
Hydrostatic single gear 15.5 mph	●	-
Hydrostatic single gear 18.6 mph	-	●
<b>Axles</b>		
45% limited slip self-locking differential front axles	●	●
Open type differential rear axles	●	●
<b>Brakes</b>		
Service brake	Multi-disc in oil bath	
Parking brake	Multi-disc in oil bath with negative drive type SAHR	
Pneumatic / hydraulic trailer brake	○	○
<b>Lights</b>		
Front lights	●	●
Rear lights	●	●
Front and rear work lights	○	○
Boom work lights	○	○
Rear trailer lights socket	○	○
<b>Cabin</b>		
Cabin	Standard	Standard
Protection grille for windscreen	○	○
Colour display	" 3,5	3,5
Start and stop system (IAS)	○	○
Air conditioning	○	○
<b>Other</b>		
Tow hook	○	○

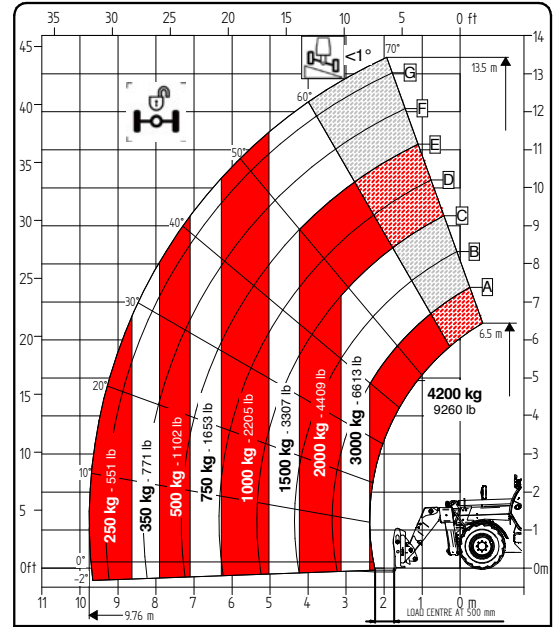
● Standard ○ Optional - Not available

# 14.42 BIG

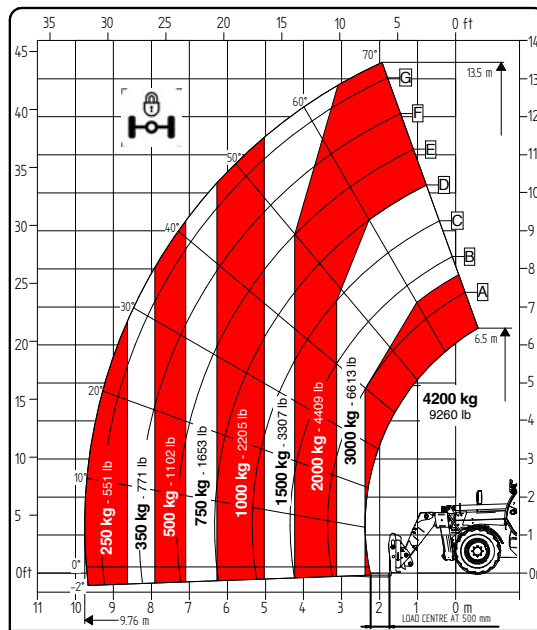
## LOAD CHARTS



14.42



14.42



14.42

# TELEHANDLERS **NEXT GENERATION**



**FARESIN INDUSTRIES SPA  
HEADQUARTERS**

Via dell'Artigianato, 36  
36042 Breganze (Vicenza), Italy  
Tel. + 39 0445 800300  
faresin@faresin.com

**FARESIN DEUTSCHLAND GMBH**

Steinach B.R. - an der  
Frankenhoehe 1  
91605 Gallmersgarten, Germany  
Tel. +49 9843 9802828  
lager@faresin.de

**FARESIN DEUTSCHLAND  
NORD GMBH**

Wissmannstr, 59  
27755 Delmenhorst, Germany  
Tel. +49 4221 800 989-0  
info@faresin-nord.de

**FARESIN POLAND SP. Z O.O.**

ul. Borowiacka 9  
87-100 Torun, Polska  
Tel. +48 503 147 811  
poland@faresin.com

**FARESIN INDUSTRIES  
FRANCE**

2 Rue de l'Avenir 14460  
Colombelles, France  
Tel + 33 2 31 82 79 61  
france@faresin.com

It brings to the attention of all potential customers, all recipients, and to the maximum extent possible, external interlocutors, that Faresin Industries S.p.A. adopts a general Disclaimer regarding the description of the technical and functional characteristics of its machineries, as well as the manner of their use, also with regard to their safety. The Disclaimer must be understood as having a general scope, and therefore Faresin Industries s.p.a. invites to know it, also by accessing the website: [faresin.com](http://faresin.com)

**FARESIN.COM**



04.2025